

Rustic, yet modern

uPVC Stable Doors



Multi-functional

Our Stable Doors are a classic and charming alternative to standard back doors, offering a country-style aesthetic and available in authentic woodgrain finishes.



Perfect for the homeowner with children or pets. Classic good looks, superb functionality and no compromise to security.

KEY DETAILS

Yale high security locking

Multi-functional

Energy Efficient

Environmentally friendly

10 year warranty

Add a splash of colour

To ensure the perfect match, all our uPVC doors and frames are available in a wide choice of colours.

Creating the look you want has never been easier.



1 Tilt facility

Upgrade to include an additional tilt facility and enjoy the ultimate in flexibility of operation.



2 Versatile

Sashes disengage to allow the top half of the door to move independently from the bottom.



3 High security

For your peace of mind high security locking systems are fitted as standard.



4 Double drip bars

Drip bars are fitted to both sashes of all our Stable Doors as standard, to prevent water ingress.





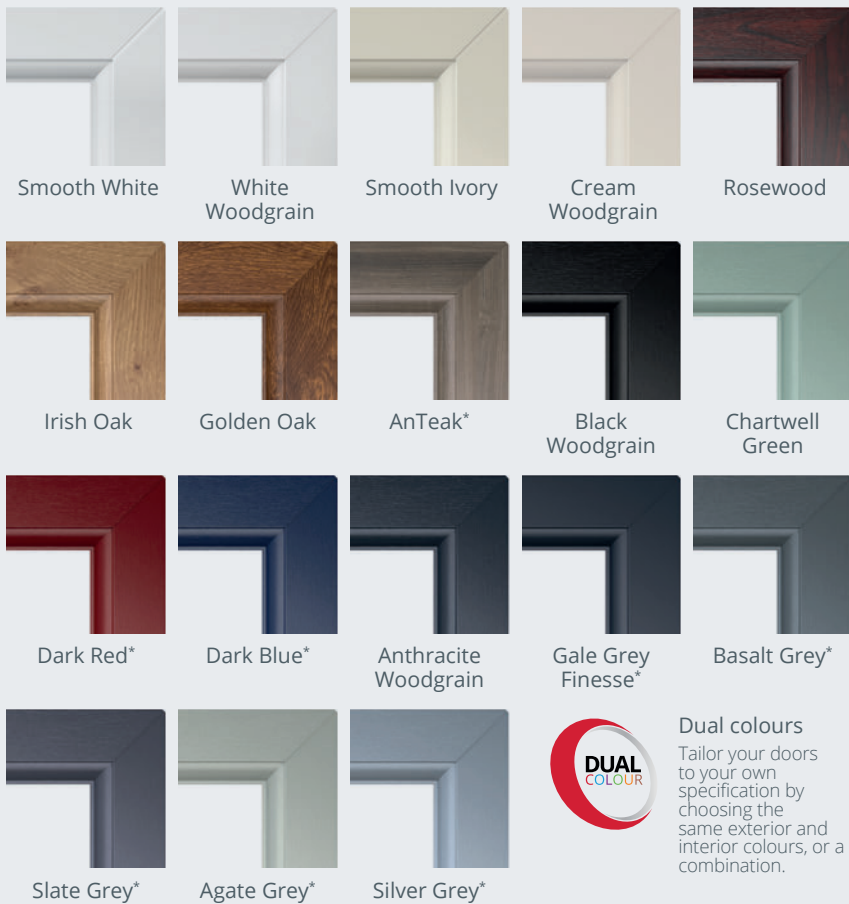
A versatile product

Tilt and turn top sash available as an option to provide you with the optimum flexibility and ventilation on your door.

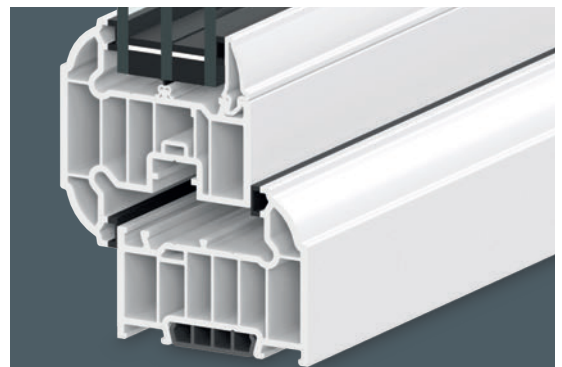


Maximum security

For your peace of mind, we fit maximum security locking systems as standard on all of our stable doors.



*Longer lead times required



Energy efficiency

Our residential doors come with the Liniar range of multi-chambered profiles as standard, achieving the highest possible BFRIC Energy Ratings in the industry.

Tailored to you

Choose the colour and style of your accessories to match your door and personal preferences.



White



Black



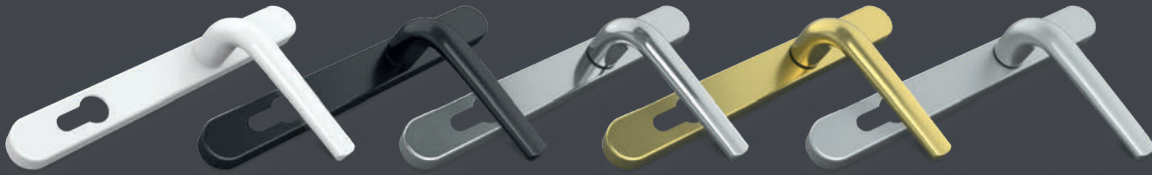
Chrome



Gold



Silver



Letterplates

Door knockers/spyholes



Victorian Urn
Available in 5 colours



Slim Victorian Urn
Available in 5 colours



Spyhole
Available in 3 colours



Security built in

All our composite doors come with a high-security multipoint locking mechanism as standard, providing your home with the protection it deserves.

Additional security

TS-007 3-star accredited cylinders are available as an optional extra with all of our door locks, proven to effectively combat against lock snapping and forced entry.



High security

Awarded the Police 'Secured by Design' accreditation, our multipoint locks have been rigorously tested to the very highest security standards.



British built

Production, testing and assembly of all our door locking systems, are carried out in the UK.



Intelligent locking

Intelligent, compact and robust locks, which work perfectly with the design of our doors.



10 year guarantee

The multipoint locking system comes with a 10 year guarantee as standard, providing complete peace of mind.



Pre-compression rollers

Ensures smooth operation and maximises weather proofing.



Anti-lift pins

Slots into the frame to prevent the door from being moved or lifted.



Centre latch and hook

A combined central latch and anti-separation hook create a solid and rigid locking point.



Claw hooks

Grips the door sash to the frame for extra strength and solidity.



ESSEX TRADE FRAMES

supplying the trade

www.essextradeframes.co.uk

Tel: 01376 395125

Email: sales@essextradeframes.co.uk

Visit: 11 Wheatear Industrial Estate, Witham,
Essex, CM8 3YY