

The best of both worlds

uPVC Tilt & Turn Windows



Safe and secure

Enjoy a flow of fresh air without compromising security. The Tilt & Turn Window is the perfect combination of the ventilation you want and the safety you need.

If you love letting in a little fresh air but worry about security, Tilt & Turn Windows are the perfect solution.

Strong and secure, they're also perfect as fire escape windows upstairs.

KEY DETAILS

Clean lines, crisp detailing

Multi-chambered profiles

Energy Efficient

Secure 'tilt only' ventilation

High security locking

1

Secure ventilation

Convenient 'tilt-only' function allows for easy ventilation without compromising your security.

2

Integrated hardware

Concealed gearing looks better and is more secure than outdated face-fix gearing.

3

Quick to clean

90° turn action allows easy exterior access, ideal for upstairs windows or high-rise accommodation.

4

Uninterrupted seal

A continuous rebate gasket prevents condensation while enhancing sound-proofing.



Add a splash of colour

To ensure the perfect match, all our windows and frames are available in a wide choice of colours.

Creating the look you want has never been easier.

1



2



3



4





Add some authenticity

Choose the right finishing touches to complement the look of your home.



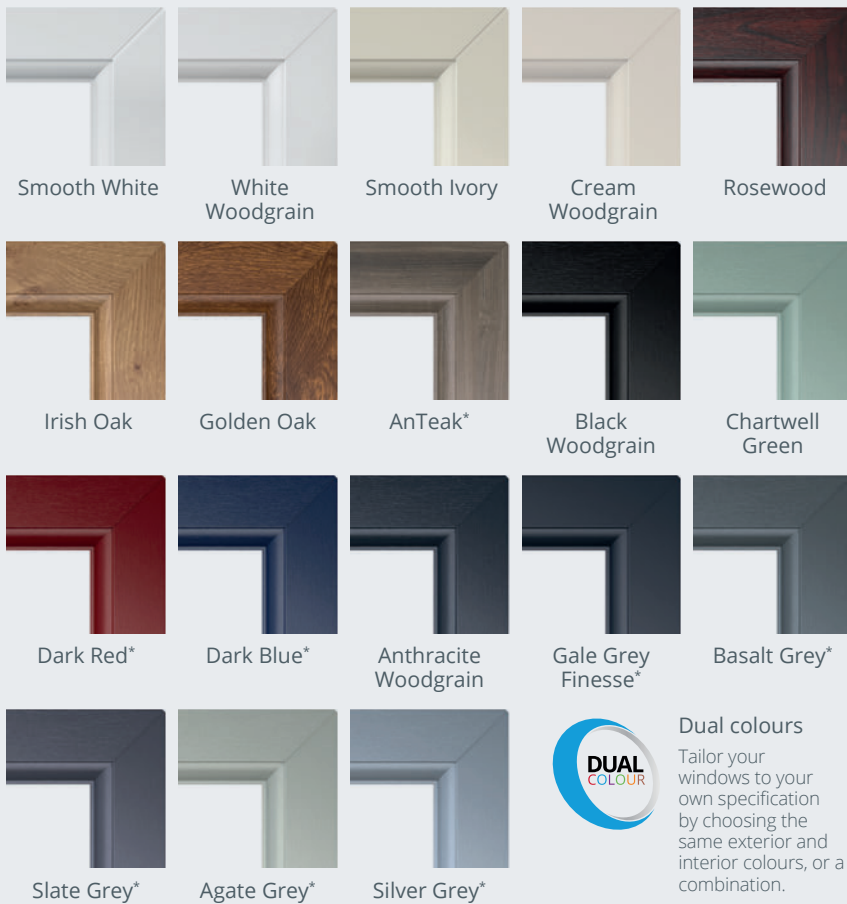
Astragal Bar

Replicates the look of real wood and gives the illusion of individual panes.

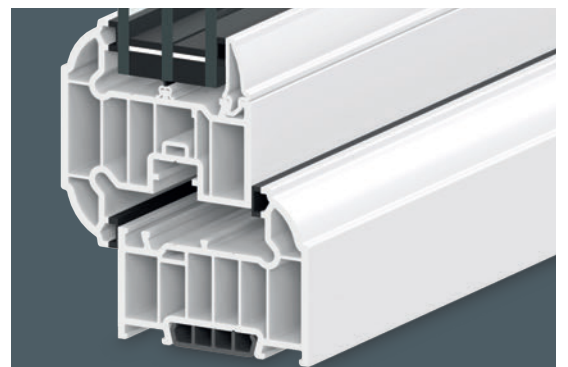


Georgian Bar

Sitting within the sealed glass unit to provide an elegant and refined look.



*Longer lead times required



Energy efficiency

Our windows come with the Liniar range of multi-chambered profiles as standard, achieving the highest possible BFRC Energy Ratings in the industry.

Personalise your windows

Creating your perfect home means personalising your windows so you're nothing less than delighted with the results. Giving you the choice to create the look and feel you want is at the heart of our window options. Supplied with a key for locking, our window handles are available in a range of colours to suit your style.



White



Black



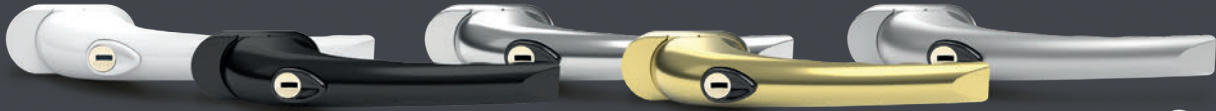
Chrome



Gold



Silver



Your security is our priority

The safeguarding of your home is something we take very seriously. It's the reason why we only trust one of the most recognised and respected names in home security, to supply the locking systems in our window products.



1

£7,500 Protection Promise

Our shootbolt locking systems are covered by a guarantee of up to £7,500* in the event of a break-in.



2

10 year guarantee

Every shootbolt window locking system has a 10 year guarantee* against mechanical failure.



3

Smart Ready™

Smart Ready™ technology built in as standard, future-proofing your home security.



ESSEX TRADE FRAMES

supplying the trade

www.essextradeframes.co.uk

Tel: 01376 395125

Email: sales@essextradeframes.co.uk

Visit: 11 Wheatear Industrial Estate, Witham,
Essex, CM8 3YY